

Model 1216 B Flanges



Description

Type	Safety and Relief valve
Connections / Rating	PN,16, PN 40, ANSI150 and ANSI 300
Material	Stainless steel 316 L Temperature range -30°C to +350°C Cryogenic service until -196°C

Technical information

Applications	Steam, gases, vapours and liquids
Min. Set pressure	0,2 barg
Overpressure	10%
Blowdown	Gases 10%, liquids 20%
Tolerance Set pressure	± 3%

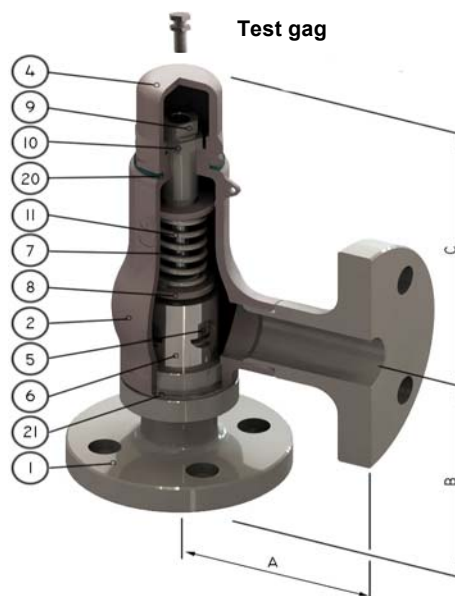
Requirements

Calculation	EN-4126-1 / 7
Design	EN-12516-1, EN-4126-1 / 7 DIN 259 and ANSI B2.1
Materials	EN
Inspection	EN-4126-1 / 7

Construction and materials

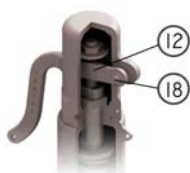
Item	Description	Material	
		Standard	Cryogenic
1	Nozzle	AISI-316L	AISI-316L
2	Body	A351 CF-3M	A351 CF-3M
4	Cap	A351 CF-8	A351 CF-8
5	Disc	AISI-316L	AISI-316L
6	Guide	AISI-316L	AISI-316L
7	Push Rod	AISI-316L	AISI-316L
8	Spring Button	AISI-303	AISI-303
9	Ajusting Screw	AISI-303	AISI-303
10	Tensor Nut	AISI-303	AISI-303
11	Spring	AISI-302	INCONEL X 750
12	Lever	A351 CF-8	A351 CF-8
17	Release nut	AISI-304	AISI-304
18	Lever axis	AISI-303	AISI-303
19	Packing lever axis	AISI-303	AISI-303
20	Gasket cap	PTFE	PTFE
21	Gasket	PTFE	PTFE
22	Gasket pack. lever	Viton	Viton
28	Soft seat	Viton / PTFE	Metal

 Recommended spare parts



Options

Lifting device



Sealed packing lever



Soft seat



Dimensions

	Connections		Orifice	Area (mm ²)	A (mm)	B (mm)	C (mm)	Weight (kg)
	Inlet	Outlet						
1/2" x 1"	ANSI150 or ANSI300	ANSI150	13	133	70	90	155	3
3/4" x 1"	ANSI150 or ANSI300	ANSI150	14	154	70	90	155	3,2
1" x 1"	ANSI150 or ANSI300	ANSI150	16	201	70	90	155	3,5
1/2" x 1"	ANSI150 or ANSI300	BSP / NPT	13	133	45	90	155	3
3/4" x 1"	ANSI150 or ANSI300	BSP / NPT	14	154	45	90	155	3,2
1" x 1"	ANSI150 or ANSI300	BSP / NPT	16	201	45	90	155	3,5
15 x 25	PN 16 or PN 40	PN 16	13	133	70	90	155	3
20 x 25	PN 16 or PN 40	PN 16	14	154	70	90	155	3,2
25 x 25	PN 16 or PN 40	PN 16	16	201	70	90	155	3,5
15 x 1"	PN 16 or PN 40	BSP / NPT	13	133	45	90	155	3
20 x 1"	PN 16 or PN 40	BSP / NPT	14	154	45	90	155	3,2
25 x 1"	PN 16 or PN 40	BSP / NPT	16	201	45	90	155	3,5