

Model 1216 HP PN400 High pressure



Description

Type	Safety and Relief valve		
Connections / Rating	Threaded BSP / NPT	PN-400	
Material	Stainless steel 316 L	Temperature range -30°C to +350°C	Cryogenic service until -196°C
	Duplex	Temperature range -20°C to +250°C	

Technical information

Applications	Steam, gases, vapours and liquids		
Min. Set pressure	30 barg	Max. Set pressure	350 barg
Overpressure	10%		
Blowdown	Gases 10%, liquids 20%		
Tolerance Set pressure	± 3%		

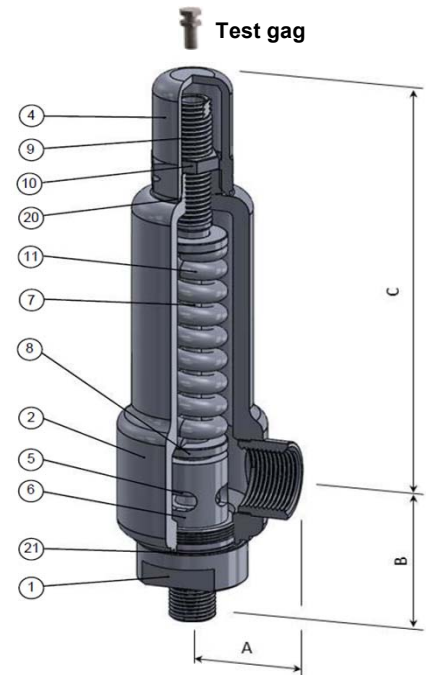
Requirements

Calculation	EN-4126-1 / 7
Design	EN-12516-1, EN-4126-1 / 7 DIN 259 and ANSI B2.1
Materials	EN
Inspection	EN-4126-1 / 7

Construction and materials

Item	Description	Material	
		Standard	DUPLEX
1	Nozzle	AISI-316L	DUPLEX 1.4462
2	Body	AISI-316L	DUPLEX 1.4462
4	Cap	A351 CF-8	DUPLEX 1.4462
5	Disc	17-4-PH	DUPLEX 1.4462
6	Guide	AISI-316L	DUPLEX 1.4462
7	Push Rod	AISI-316L	DUPLEX 1.4462
8	Spring Button	AISI-303	DUPLEX 1.4462
9	Ajusting Screw	AISI-303	DUPLEX 1.4462
10	Tensor Nut	AISI-303	DUPLEX 1.4462
11	Spring	INCONEL X 750	INCONEL X 750
12	Lever	A351 CF8	DUPLEX 1.4462
17	Release nut	AISI-304	DUPLEX 1.4462
18	Lever axis	AISI-303	DUPLEX 1.4462
19	Packing lever axis	AISI-303	DUPLEX 1.4462
20	Gasket cap	PTFE	PTFE
21	Gasket	GRAPHITE + S.S.	GRAPHITE + S.S.
22	Gasket pack. lever	Viton	Viton

Recommended spare parts



Options

Lifting device



Sealed packing lever



Dimensions

	PN	Orifice (mm)	Area (mm ²)	A (mm)	B (mm)	C (mm)	Weight (kg)
1/2" x 3/4"	PN-400	6	28	46	75	240	3,1
1/2" x 1"	PN-400	6	28	46	75	240	3,1
3/4" x 3/4"	PN-400	6	28	46	75	240	3,1
3/4" x 1"	PN-400	6	28	46	75	240	3,1
1" x 1"	PN-400	6	28	46	75	240	3,1