

Model 1216



Description

Type	Safety and Relief valve		
Connections	Threaded BSP / NPT PN-40		
Material	Stainless steel 316 L and Duplex	Temperature range -30 to +350°C	Cryogenic service until -196°C

Technical information

Applications	Steam, gases, vapours and liquids
Min. Set pressure	0,2 barg
Overpressure	10%
Blowdown	Gases 10%, liquids 20%
Tolerance Set pressure	± 3%

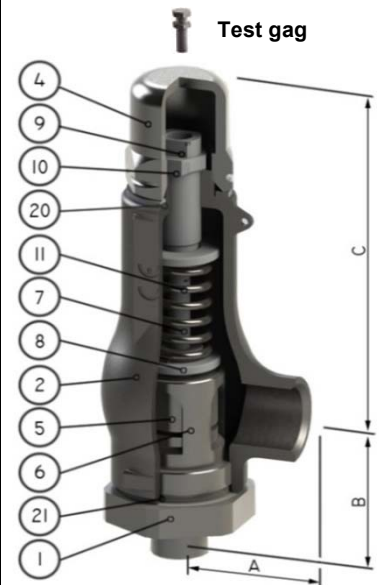
Requirements

Calculation	EN-4126-1 / 7
Design	EN-12516-1, EN-4126-1 / 7 DIN 259 and ANSI B2.1
Materials	EN
Inspection	EN-4126-1 / 7

Construction and materials

Item	Description	Standard	Material	
			Cryogenic	Duplex
1	Nozzle	A351 CF-3M	A351 CF-3M	DUPLEX 1.4462
2	Body	A351 CF-3M	A351 CF-3M	DUPLEX 1.4462
4	Cap	A351 CF-8	A351 CF-8	DUPLEX 1.4462
5	Disc	AISI-316L	AISI-316L	DUPLEX 1.4462
6	Guide	A351 CF-3M	A351 CF-3M	DUPLEX 1.4462
7	Push Rod	AISI-316L	AISI-316L	DUPLEX 1.4462
8	Spring Button	AISI-303	AISI-303	DUPLEX 1.4462
9	Ajusting Screw	AISI-303	AISI-303	DUPLEX 1.4462
10	Tensor Nut	AISI-303	AISI-303	DUPLEX 1.4462
11	Spring	AISI-302	INCONEL X 750	INCONEL X 750
12	Lever	A351 CF-8	A351 CF-8	DUPLEX 1.4462
17	Release nut	AISI-304	AISI-304	DUPLEX 1.4462
18	Lever axis	AISI-303	AISI-303	DUPLEX 1.4462
19	Packing lever axis	AISI-303	AISI-303	DUPLEX 1.4462
20	Gasket cap	PTFE	PTFE	PTFE
21	Gasket	PTFE	PTFE	PTFE
22	Gasket pack. lever	Viton	Viton	Viton
28	Soft seat	Viton / PTFE	Metal	Metal

 Recommended spare parts



Options

Lifting device



Sealed packing lever



Soft seat



Stainless steel dimensions

	Orifice (mm)	Area (mm ²)	A (mm)	B (mm)	C (mm)	Weight (kg)
1/2" x 3/4"	13	133	45	57	155	2,2
1/2" x 1"	13	133	45	57	155	2,2
3/4" x 1"	14	154	45	57	155	2,2
1" x 1"	16	201	45	60	155	2,2
1" x 1 1/4"	16	201	45	61	155	2,3
1" x 2"	22	380	62	87	234	4,5
1 1/4" x 1 1/4"	18	254	45	62	155	2,4
1 1/2" x 2"	28	616	62	89	234	4,6
2" x 2"	32	804	62	93	234	5,1

Duplex dimensions

	Orifice (mm)	Area (mm ²)	A (mm)	B (mm)	C (mm)	Weight (kg)
1/2" x 3/4"	13	133	45	57	155	2,2
1/2" x 1"	13	133	45	57	155	2,2
3/4" x 1"	14	154	45	57	155	2,2
1" x 1"	16	201	45	60	155	2,2