

HELYON

5 Chemin du Jubin 69570 DARDILLY
Tél. +33 (0)4 72 52 16 70 - Fax +33 (0)4 72 52 16 71
www.helyon.com / E-mail : contact@helyon.com

HPF114-HPF138-HPF112

HPF110-HPF134

Brass high pressure filters, suitable for gas and liquid



FEATURES


Filter for inlet pressure up to 220 bar (3190 psi) in the standard version.

Female connections G 1/4, G 3/8, G 1/2, G 1 and G 3/4.

Other connections available on request.

Replaceable filter element: 5 µm, 50 µm or coalescing (0.01 µm/99.99%).

Available the ATEX version.

Brand:  II2GDcIICX.

For use in potentially explosive atmospheres, zones: 1, 21, 2, 22 (not for mines and zone 0).

The product complies with the directive 97/23/CE (PED).

SPECIFICATIONS

Operating temperature: -20 °C ÷ +60 °C (-4 °F ÷ +140 °F) for standard version

Degree of protection: IP66

Bowl capacity: 40 cc (1.35 fluid ounces) for versions 1/4", 3/8", 1/2"
 100 cc (3.38 fluid ounces) for versions 1", 3/4"

Acetylene version: maximum operating pressure 15 bar

MATERIALS

Body: brass

Bowl: brass

Internal parts: brass / AISI 316L

O-Ring: FPM or EPDM according to the fluid (other compounds available on request)

Filter cartridges 5 and 50 µm: AISI 316 L

ACCESSORIES

Bracket kit + screws: M13001 for HPF 114 / 138 / 112

Bracket kit + screws: M13003 for HPF 110 / 134

SPARE PARTS

Filter cartridges

Complete kit: filter cartridge, O-rings

available model types

High pressure filters (max 220 bar) of brass

Suitable for non corrosive technical gases and liquid

Body and cap by machining bar

TYPE	Pln Bar	Connection IN / OUT	FILTRATION RATE	BOWL	DRAIN	MEDIUM	
						HPF 114	
HPF 114	15	G 1/4-F	50 µm	Metal	SV	NO	C2H2
	220	G 1/4-F	50 µm	Metal	SV	NO	O2
						Liquid	
						*	
						HPF 138	
HPF 138	15	G 3/8-F	50 µm	Metal	SV	NO	C2H2
	220	G 3/8-F	50 µm	Metal	SV	NO	O2
						Liquid	
						*	
						HPF 112	
HPF 112	15	G 1/2-F	50 µm	Metal	SV	NO	C2H2
	220	G 1/2-F	50 µm	Metal	SV	NO	O2
						Liquid	
						*	
						HPF 110	
HPF 110	220	G 1-F	50 µm	Metal	SV	NO	O2
						Liquid	
						*	
						HPF 134	
HPF 134	220	G 3/4-F	50 µm	Metal	SV	NO	O2
						Liquid	
						*	

Metal = Metallic bowl

SV = Without visual sight

* Air – N2 – He – Ar – H2 – C3H8 – CH4 – CO2 – N2O

CONNECTION DIFFERENT FROM STANDARD HPF114 – HPF138 – HPF112

Inlet / Outlet connections NPT

1/4 NPT

3/8 NPT

1/2 NPT

CONNECTION DIFFERENT FROM STANDARD HPF110 – HPF134

Inlet / Outlet connections NPT

EXECUTIONS DIFFERENT FROM STANDARD

Inlet pressure 350 bar

Filtration rate 5µm

Coalescing filtration (rate 0,01 micron, efficiently 99,99%)

O-ring in accordance to FDA

O-ring different – FPM

Not standard branding

ATEX version

Temperature different from standard

Degreased for O2

ACCESSORIES HPF114 – HPF138 – HPF112

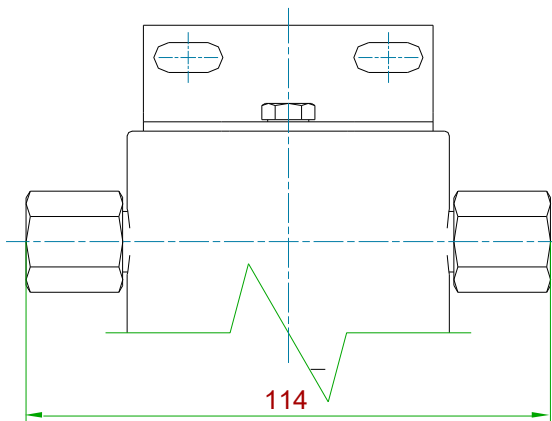
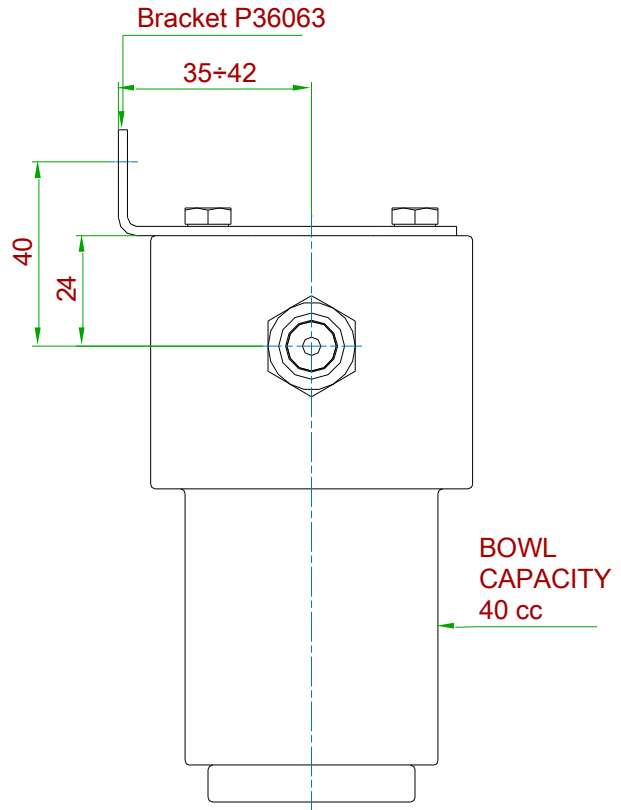
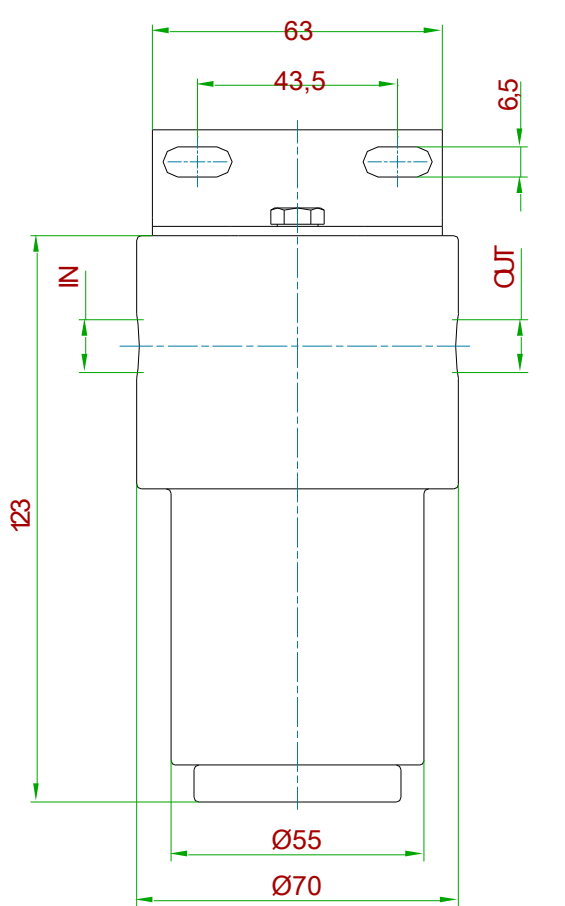
Brackets with screws M13001

ACCESSORIES HPF110 – HPF134

Brackets with screws M13003

technical drawings (all dimensions in mm)

Bracket to be ordered separately, kit order number: M13001

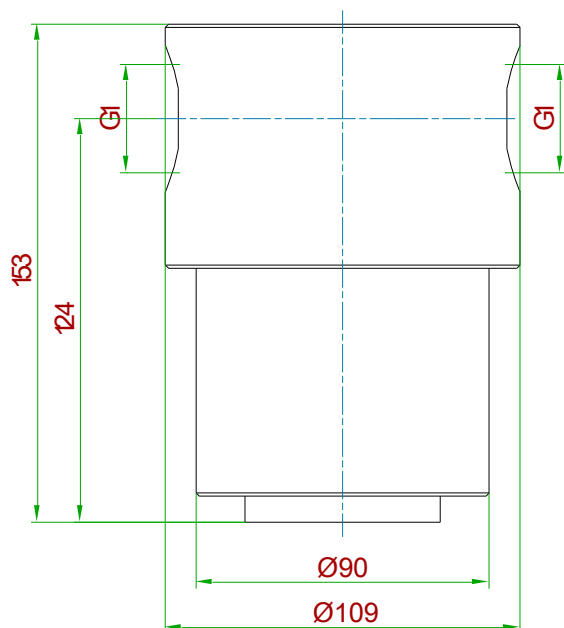


For Version 1/4 NPT-F - 3/8 NPT-F only

TYPE	IN/OUT
HPF114 1/4"GF	G 1/4-F
HPF138 3/8"GF	G 3/8-F
HPF112 1/2"GF	G 1/2-F
HPF114 1/4"NPTF	1/4"NPT-F
HPF138 3/8"NPTF	3/8"NPT-F
HPF112 1/2"NPTF	1/2"NPT-F

GAS FILTRATION	
CARTRIDGE	MATERIAL
5 µm	AISI 316L
50 µm	AISI 316L
0.01 µm 99.99%coalescing	-

tecnicnal drawings (all dimensions in mm)



TYPE	IN/OUT
HPF110 1"GF	G 1-F
HPF134 3/4"GF	G 3/4-F

GAS FILTRATION	
CARTRIDGE	MATERIAL
5 µm	AISI 316 L
50 µm	AISI 316 L
0,01 µm 99,99% coalescing	/

