

HELYON

5 Chemin du Jubin 69570 DARDILLY
Tél. +33 (0)4 72 52 16 70 - Fax +33 (0)4 72 52 16 71
www.helyon.com / E-mail : contact@helyon.com

HPF314-HPF338-HPF312 HPF310-HPF334

Stainless steel AISI 316L high pressure filters,
suitable for gas and liquid



FEATURES

Filter for inlet pressure up to 220 bar (3190 psi) in the standard version.

Female connections G 1/4, G 3/8, G 1/2, G 1 e G 3/4. Other connections available on request.

Replaceable filter elements: 5 μ m, 50 μ m or coalescing (0.01 μ m/99.99%).

Available the ATEX version.

Brand:   II2GDcIICX.

For use in potentially explosive atmospheres zones: 1, 21, 2, 22 (not for mines and zone 0).

The product complies with the directive 97/23/CE (PED).

SPECIFICATIONS

Operating temperature: -20 °C ÷ +60 °C (-4 °F ÷ +140 °F) for standard version

Degree of protection: IP66

Bowl capacity: 40 cc (1,35 fluid ounces) for versions 1/4", 3/8", 1/2"

500 cc (16,9 fluid ounces) for versions 1", 3/4"

Acetylene version: maximum operating pressure 15 bar

MATERIALS

Body: stainless steel AISI 316 L

Bowl: stainless steel AISI 316 L

Internal parts: stainless steel AISI 316 L

O-Ring: FPM or EPDM according to the fluid (other compounds available on request)

Filter cartridges 5 and 50 µm: stainless steel AISI 316 L

ACCESSORIES

Bracket kit + screws: M13001 for HPF 314 / 338 / 312

Bracket kit + screws: M13003 for HPF 310 / 334

SPARE PARTS

Filter cartridges

Complete kit: filter cartridge, O-rings

available model types

High pressure filters (max 220 bar) of stainless steel 316L

*Suitable technical gases (except O2) and liquid
Body and cap by machining bar*

TYPE	Pln Bar	Connection IN / OUT	FILTRATION RATE	BOWL	DRAIN	MEDIUM
						HPF 314
HPF 314	15	G 1/4-F	50 µm	Metal	SV	C2H2
	220	G 1/4-F	50 µm	Metal	SV	Liquid *
						HPF 338
HPF 338	15	G 3/8-F	50 µm	Metal	SV	C2H2
	220	G 3/8-F	50 µm	Metal	SV	Liquid *
						HPF 312
HPF 312	15	G 1/2-F	50 µm	Metal	SV	C2H2
	220	G 1/2-F	50 µm	Metal	SV	Liquid *
						HPF 310
HPF 310	220	G 1-F	50 µm	Metal	SV	Liquid *
						HPF 334
HPF 334	220	G 3/4-F	50 µm	Metal	SV	Liquid *

Metal = Metallic bowl

SV = Without visual sight

* Air – N2 – He – Ar – H2 – C3H8 – CH4 – CO2 – N2O

CONNECTION DIFFERENT FROM STANDARD HPF314 – HPF338 – HPF312

Inlet / Outlet connections NPT

1/4 – 1/2 NPT

3/8 NPT

CONNECTION DIFFERENT FROM STANDARD HPF310 – HPF334

Inlet / Outlet connections NPT

1 NPT

3/4 NPT

EXECUTIONS DIFFERENT FROM STANDARD

Inlet pressure 350 bar

Filtration rate 5µm

Coalescing filtration (rate 0,01 micron, efficiently 99,99%)

O-ring in accordance to FDA

O-ring different – FPM

Not standard branding

ATEX version

Temperature different from standard

Degreased for O2

ACCESSORIES HPF314 – HPF338 – HPF312

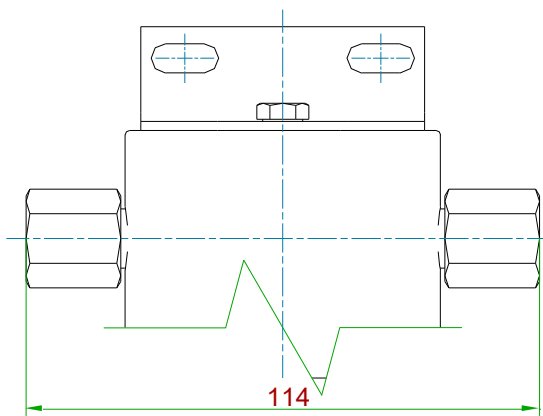
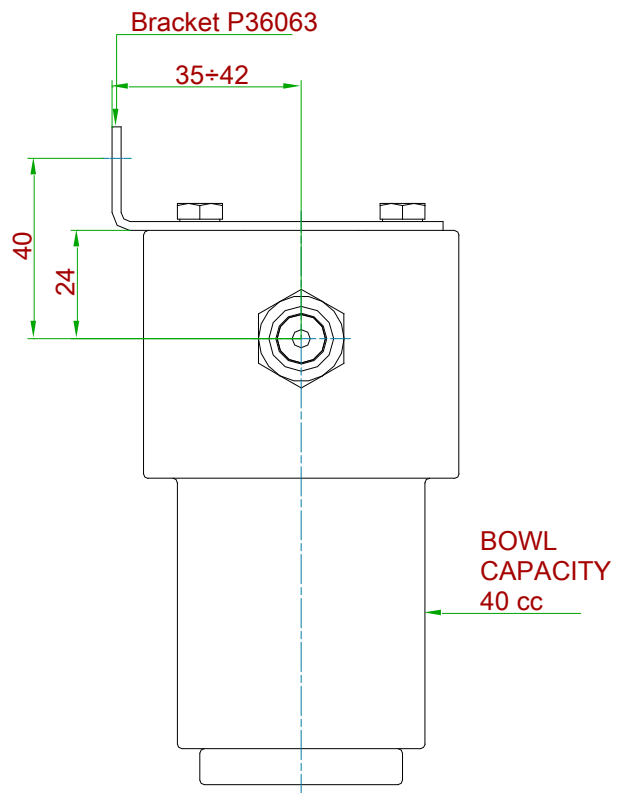
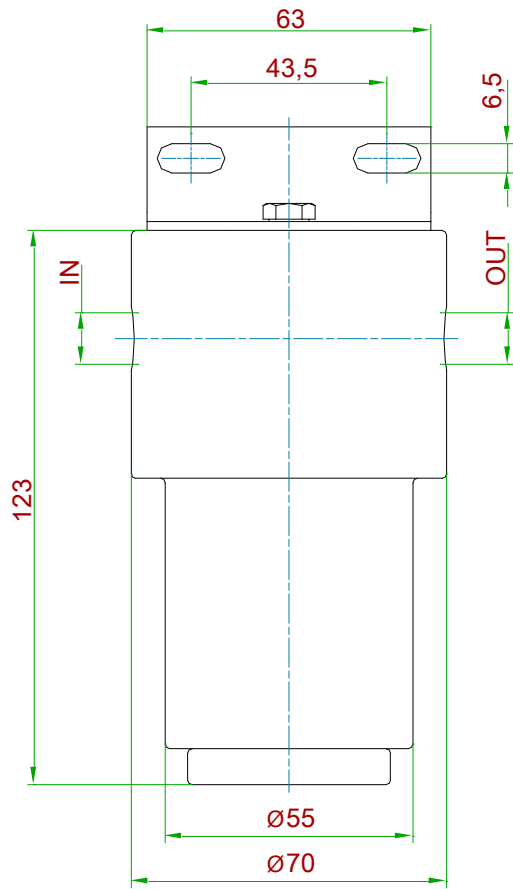
Brackets with screws M13001

ACCESSORIES HPF310 – HPF334

Brackets with screws M13003

technical drawings (all dimensions in mm)

Bracket to be ordered separately, kit order number: M13001

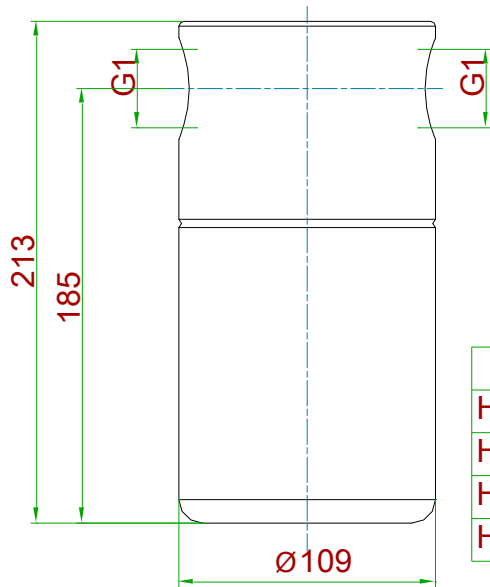


For version 1/4 NPT-F - 3/8 NPT-F only

TYPE AISI 316L	IN/OUT
HPF314 1/4"GF	G 1/4-F
HPF338 3/8"GF	G 3/8-F
HPF312 1/2"GF	G 1/2-F
HPF314 1/4"NPTF	1/4"NPT-F
HPF338 3/8"NPTF	3/8"NPT-F
HPF312 1/2"NPTF	1/2"NPT-F

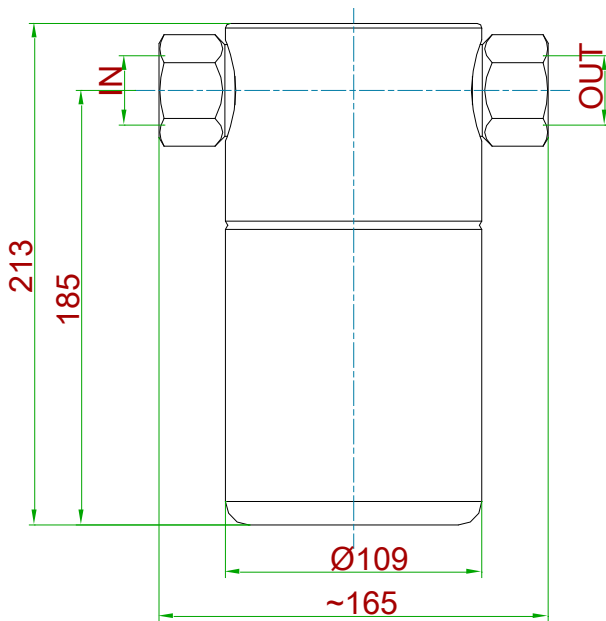
GAS FILTRATION	
CARTRIDGE	MATERIAL
5 µm	AISI 316L
50 µm	AISI 316L
0.01 µm 99.99%coalescing	-

technical drawings (all dimensions in mm)



GAS FILTRATION	
CARTRIDGE	MATERIAL
5 µm	AISI 316L
50 µm	AISI 316L
0.01 µm 99.99% coalescing	/

TYPE	IN/OUT	NOTE
HPF310 1"GF	G 1-F	-
HPF334 3/4"GF	G 3/4-F	with nipples
HPF310 1"NPTF	1" NPT-F	with nipples
HPF334 3/4"NPTF	3/4" NPT-F	with nipples



TYPE:
1"NPT-F
G 3/4-F
3/4"NPT-F

BOWL CAPACITY 500cc