

R3133

**Stainless steel AISI 316L high pressure regulator,
suitable for compressed air, gas and liquid**




FEATURES

High pressure regulator for cylinder or manifold; standard version inlet pressure up to 220 bar (3190 psi), higher pressure for special versions.

Inlet cylinder connections according to UNI standard, other connections available on request.

Outlet pressure up to 15 bar (218 psi) is controlled by a stainless steel diaphragm (AISI 316); greater outlet pressures are controlled by a piston.

Body machined from the bar.
Entirely made of stainless steel is suitable for laboratory and gas analysis applications, as well as for normal industrial applications.

Available the ATEX version
Brand  II2GDclICX.
For use in potentially explosive atmospheres zones: 1, 21, 2, 22 (not for mines and zone 0).

The product complies with the directive 97/23/CE (PED).

SPECIFICATIONS

Inlet and outlet pressure gauges: accuracy class 1.6

Regulator weight: ~2,7 kg (~5.95 lb)

Standard version operating temperature -20 °C ÷ +60 °C (-4 °F ÷ +140 °F)

Main valve leakage classification: VI (bubble tight)

Flow coefficient: Kv= 0.05 Nm³/h (Cv = 0.06 US gal/min)

Degree of protection: IP25

Gauges ports: G 1/4 – F

MATERIALS

Body and bonnet: stainless steel AISI 316L

Internal parts: stainless steel AISI 316L

Main valve spring: stainless steel AISI 302

Adjusting spring: stainless steel AISI 302 (not in contact with the fluid)

Diaphragm (for outlet pressure up to 15 bar):

- standard: stainless steel AISI 316L
- for liquid and air relieving: two coupled diaphragms NBR+PTFE (PTFE in contact with the fluid)

Piston (for greater outlet pressure): stainless steel AISI 316L

O-ring: EPDM or FPM according to the fluid (other compounds available on request)

Main valve gasket: PTFE + carbon (EPDM for 15 bar maximum operating pressure)

ACCESSORIES

Panel mounting ring-nut: P35017030304

Wall mounting bracket and ring-nut: M1B301

Overpressure relieving function (for compressed air only)

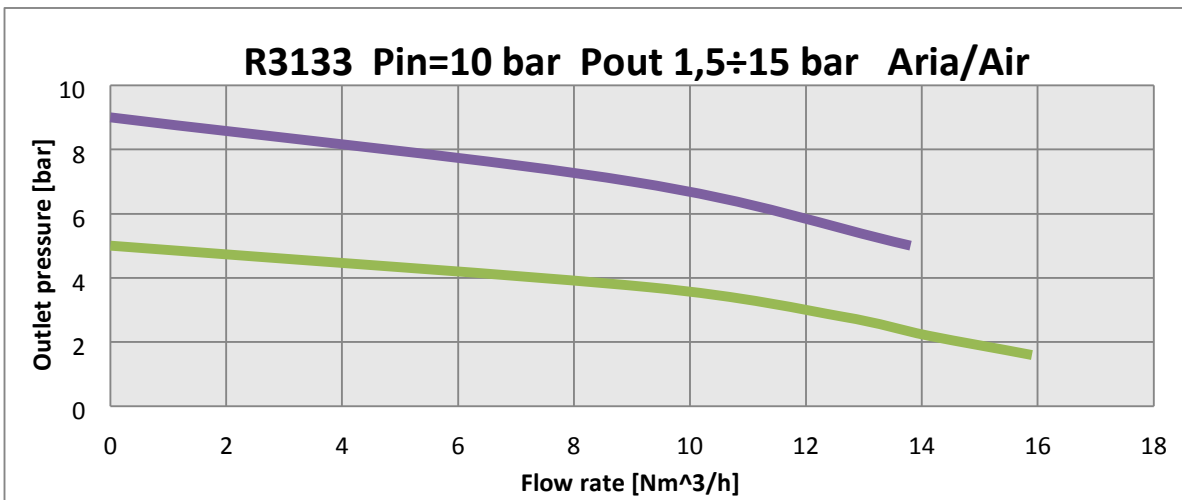
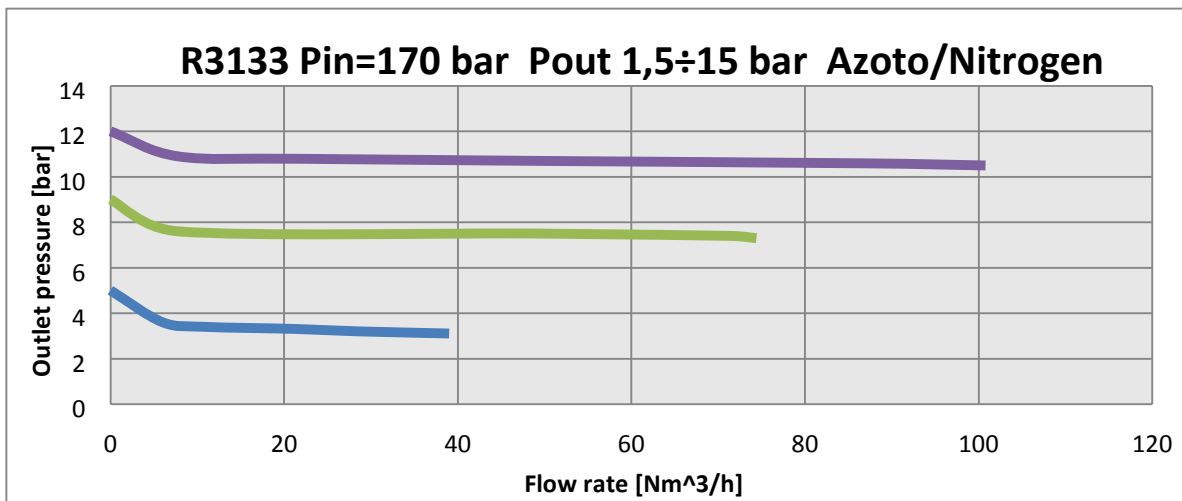
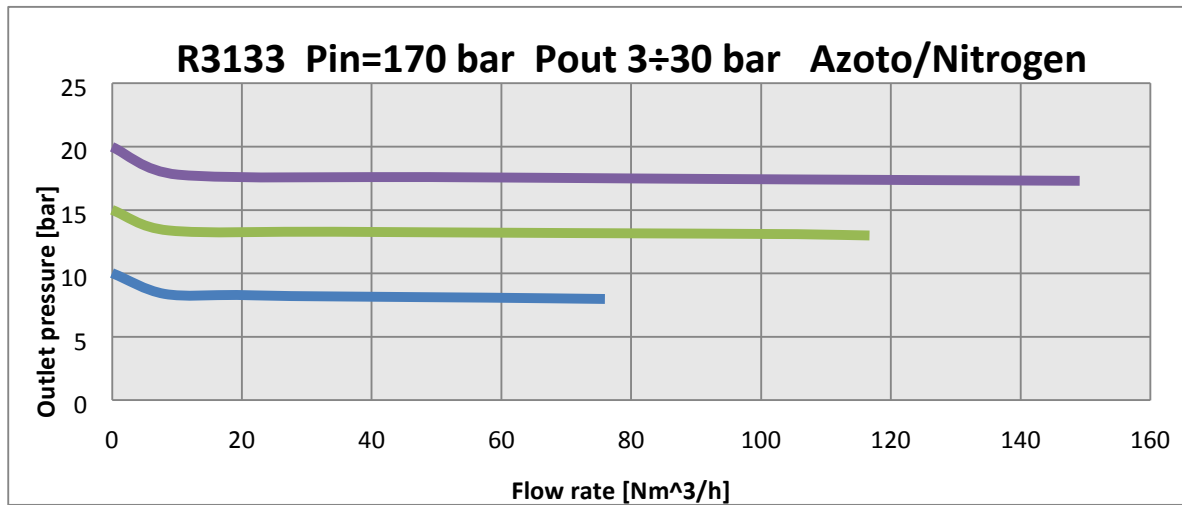
RICAMBI

Gauges

Overpressure valve

Complete kit: filter, complete main valve, o-rings, assembled diaphragm

flow charts



available model types

Body by machining round bar, inlet connection to bottle according to standard UNI

TYPE	Pin Bar	Pout Bar	Connection OUT	MEDIUM
				R3133
R3133 LA	15	0,2 – 1,5	G 1/4-F	C2H2 – NH3
R3133 LB	15	0,3 – 3	G 1/4-F	NH3
R3133 MA	80	0,8 – 8	G 1/4-F	CO2 – N2O
R3133 MB	80	1,5 – 15	G 1/4-F	CO2 – N2O
R3133 MC	80	3 – 30	G 1/4-F	CO2 – N2O
R3133 MD	80	5 – 50	G 1/4-F	CO2 – N2O
R3133 HA	220	0,8 – 8	G 1/4-F	H2 – CH4
				Air – N2 – Ar – He
R3133 HB	220	1,5 – 15	G 1/4-F	H2 – CH4
				Air – N2 – Ar – He
R3133 HC	220	3 – 30	G 1/4-F	H2 – CH4
				Air – N2 – Ar – He
R3133 HD	220	5 – 50	G 1/4-F	H2 – CH4
				Air – N2 – Ar – He
R3133 HE	220	10 – 100	G 1/4-F	H2 – CH4
				Air – N2 – Ar – He
R3133 HF	220	20 – 200	G 1/4-F	H2 – CH4
				Air – N2 – Ar – He

MEDIUM	Connection IN	UNI
C2H2	Manifold	1H-UNI 11144
	Bottle connection	7F-UNI 11144
NH3	Bottle_manifold	3-UNI 11144
CO2	Bottle_manifold	2-UNI 11144
N2O	Bottle	9-UNI 11144
	Manifold	2-UNI 11144
Air	Bottle	6-UNI 11144
	Manifold	2-UNI 11144
N2	Bottle	5-UNI 11144
	Manifold	2-UNI 11144
Ar – He	Bottle	8-UNI 11144
	Manifold	2-UNI 11144
H2 – CH4	Bottle_manifold	1H-UNI 11144

CONNECTION DIFFERENT FROM STANDARD

Connections different from standard (external nipples G1/4-F - 1/4" NPT-F – ¼" NPT-M)

Bottle connection different from italian standard UNI (DIN 477, CGA, NFE 29-650, BS 341 e UNE ITC MIE)

Inlet connection for manifold, not for CO2, H2, CH4, NH3

Connections with flanges

EXECUTIONS DIFFERENT FROM STANDARD

Inlet pressure 250 bar

Dome loaded version

Inlet pressure 300-400 bar

Not standard branding

Pre-set outlet pressure

ATEX version

Fixed outlet pressure, screw with cap nut

Special temperature range

O-ring in accordance to FDA

Relieving version

O-ring in FPM

Degreased for O2

Special O-ring

Venting on bonnet and over pressure valve

Venting on over pressure valve

Execution for liquid

ACCESSORIES

Ring nut P35017030304

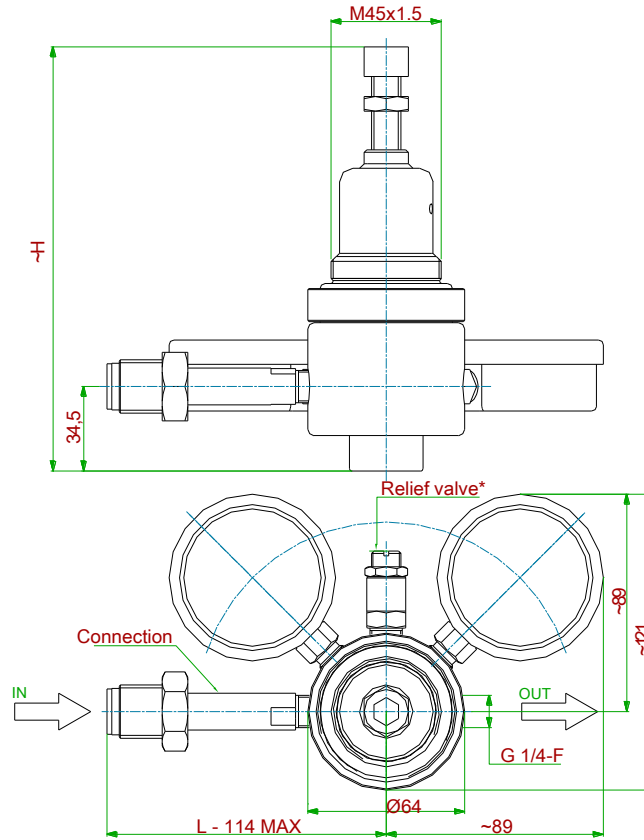
Kit bracket and ring nut M1B301

technical drawings (all dimensions in mm)

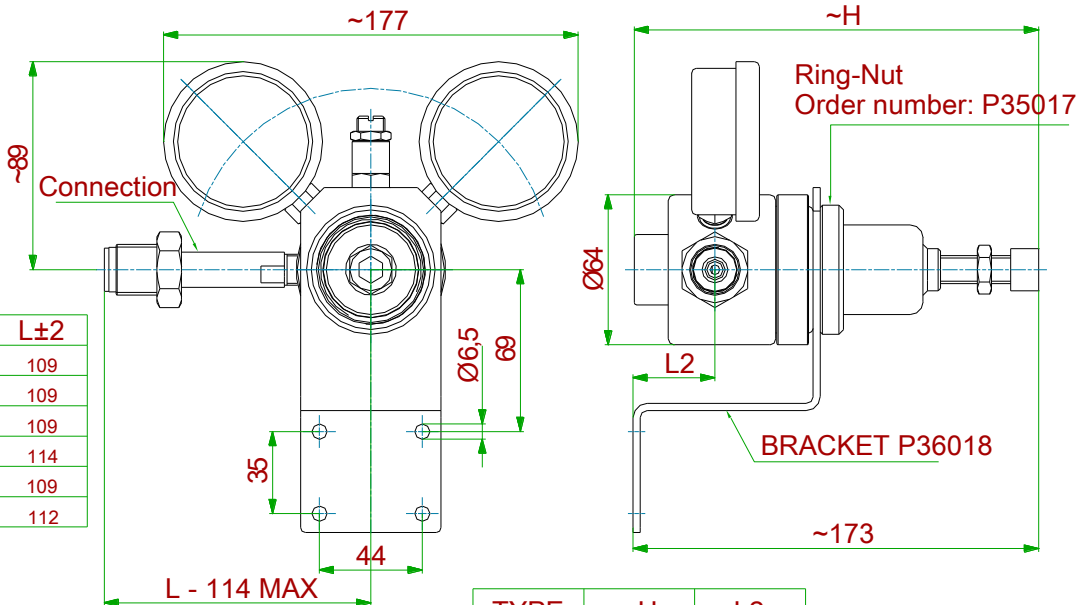
* No Relief valve for type piston 200 bar

TYPE	~H
Diaphragm	159
Piston	173

Connection	L±2
1H-UNI 11144	109
2-UNI 11144	109
3-UNI 11144	109
5-UNI 11144	114
6-UNI 11144	109
8-UNI 11144	112



Bracket and ring-nut to be ordered separately



Connection	L±2
1H-UNI 11144	109
2-UNI 11144	109
3-UNI 11144	109
5-UNI 11144	114
6-UNI 11144	109
8-UNI 11144	112

TYPE	~H	L2
Diaphragm	159	50.5
Piston	173	35