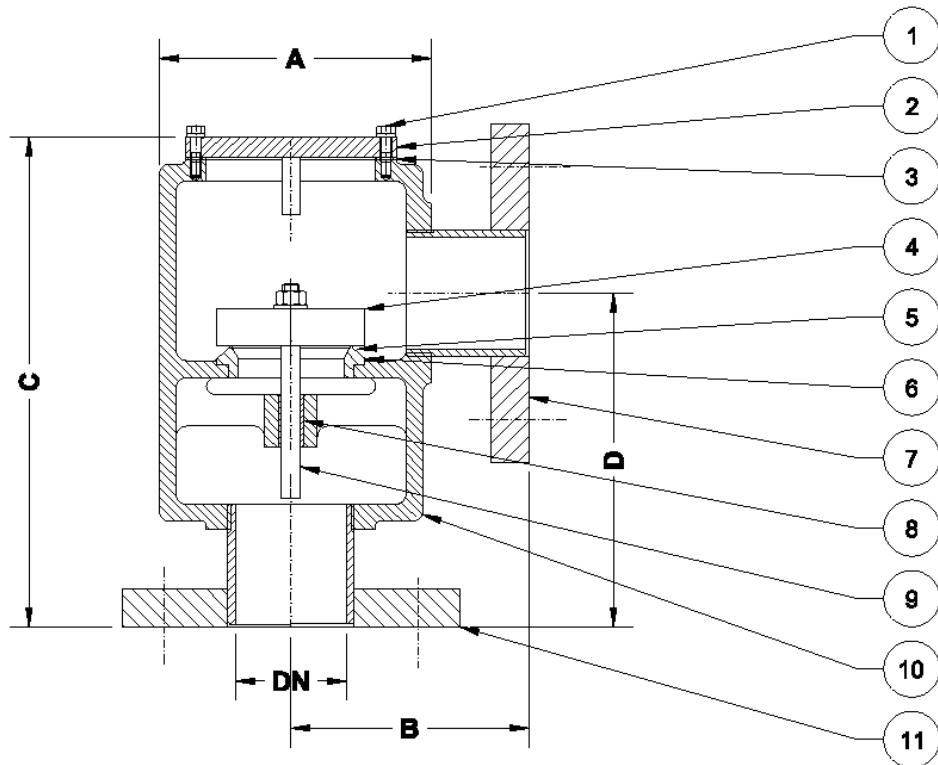


SERIES 6000 :
Soupape basse pression, sortie canalisée
Pressure relief valve, pipe away

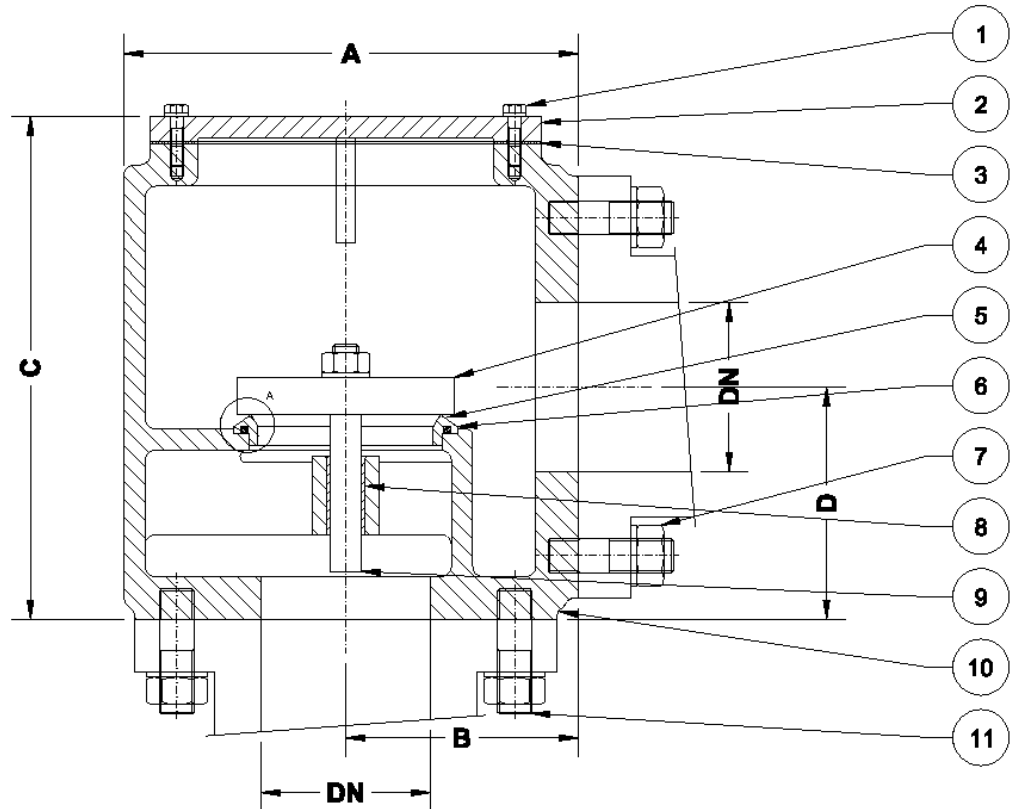


DN	20	25	40	50	80	100	150	200	250	300	350
A	125	125	125	125	-	-	-	-	-	-	-
B	112	112	112	112	-	-	-	-	-	-	-
C	230	230	230	230	-	-	-	-	-	-	-
D	158	158	158	158	-	-	-	-	-	-	-
CODE	6220	6220	6220	6220	-	-	-	-	-	-	-
Datasheet	60set	60set	60set	60set	-	-	-	-	-	-	-

DIMENSIONS SHOWN ARE FOR REFERENCE ONLY. CONTACT FACTORY FOR CERTIFIED DRAWINGS

Pos	Description	Carbon steel	Stainless steel	Alluminium
1	Bolt, washer	A270	A270	A270
2	Cover	C.steel	AISI 316	Alluminium
3	Gasket cover	Petroflex	Petroflex	Petroflex
4	Pallet	316	316	316
5	O-ring	PTFE	PTFE	PTFE
6	Seat	316	316	316
7	Flange	316	316	316
8	Guide	PTFE	PTFE	PTFE
9	Stem	316	316	316
10	Housing	WCB	CF8M	Alluminium
11	Flange	C.steel	AISI 316	Alluminium

SERIES 6000 :
Soupape basse pression, sortie canalisée
Pressure relief valve, pipe away



DN	20	25	40	50	80	100	150	200	250	300	350
A	-	-	-	-	275	310	370	-	-	-	-
B	-	-	-	-	215	245	285	-	-	-	-
C	-	-	-	-	225	250	295	-	-	-	-
WIDTH	-	-	-	-	210	249	295	-	-	-	-
CODE	-	-	-	-	6001	6002	6003	-	-	-	-
Datasheet	-	-	-	-	60set	60set	60set	-	-	-	-

DIMENSIONS SHOWN ARE FOR REFERENCE ONLY. CONTACT FACTORY FOR CERTIFIED DRAWINGS

Pos	Description	Carbon steel	Stainless steel	Alluminium
1	Bolt, washer	A270	A270	A270
2	Cover	C.steel	316	Alluminium
3	Gasket cover	Petroflex	Petroflex	Petroflex
4	Pallet	316	316	316
5	O-ring	PTFE	PTFE	PTFE
6	Seat	316	316	316
7	Outlet	316	316	316
8	Guide	PTFE	PTFE	PTFE
9	Stem	316	316	316
10	Housing	WCB	CF8M	Alluminium
11	Stud, nut	A270	A270	A270