

R160

Precision pressure regulator



FEATURES

Precision pressure regulator for inlet pressure up to 6 bar (87 psi).

Standard version inlet port G1/2-F and outlet port G3/4-F. NPT connections, by added nipples, available on request.

Outlet pressure is controlled by a rubber diaphragm. The main valve is balanced.

Available the ATEX version

Brand  II2GDcllCX.

For use in potentially explosive atmospheres zones: 1, 21, 2, 22 (not applicable in mines and zone 0).

The product complies with the directive 97/23/CE PED.

SPECIFICATIONS

Weight: ~1.3 kg (~2.9 lb)

Operating temperature: -20°C ÷ +60°C (-4°F ÷ 140° F) for standard version

Main valve leakage classification: VI

Minimum outlet pressure: 5 mbar for model A, 10 mbar for models B and C.

Flow coefficient: $K_v = 0.4 \text{ Nm}^3/\text{h}$ ($C_v = 0,47 \text{ USgal}/\text{min}$)

Degree of protection: IP25

G $\frac{1}{4}$ ports for outlet pressure gauge

Adjusting screw to set inlet pressure

MATERIALS

Body: anodized aluminium

Bonnet: stainless steel AISI 316L

Internal parts: brass/AISI 316L

Adjusting spring: C85

Diaphragm: single diaphragm in NBR, NBR and PTFE coupled diaphragms in for O₂ and CO₂ versions (PTFE diaphragm in contact with the fluid)

O-Rings: NBR/EPDM/FPM (depending on the fluid)

Main valve gasket: NBR/EPDM/FPM (depending on the fluid)

ACCESSORIES

Gauges kit: accuracy class 1,6

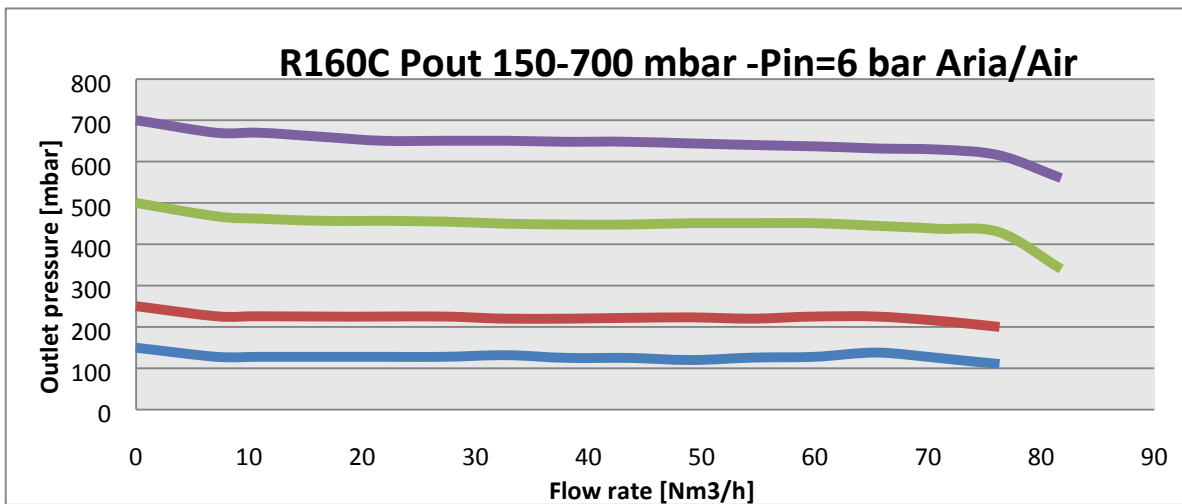
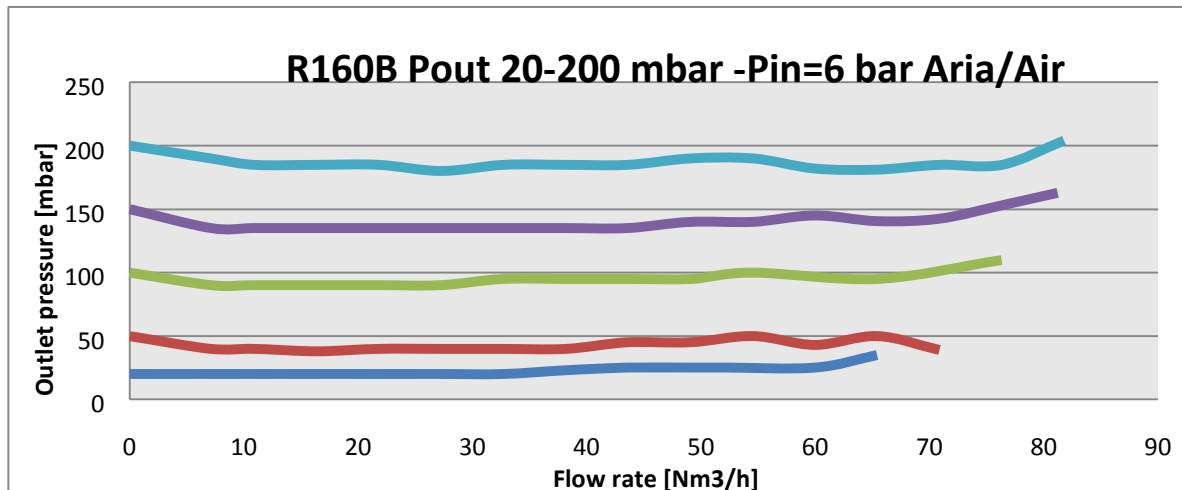
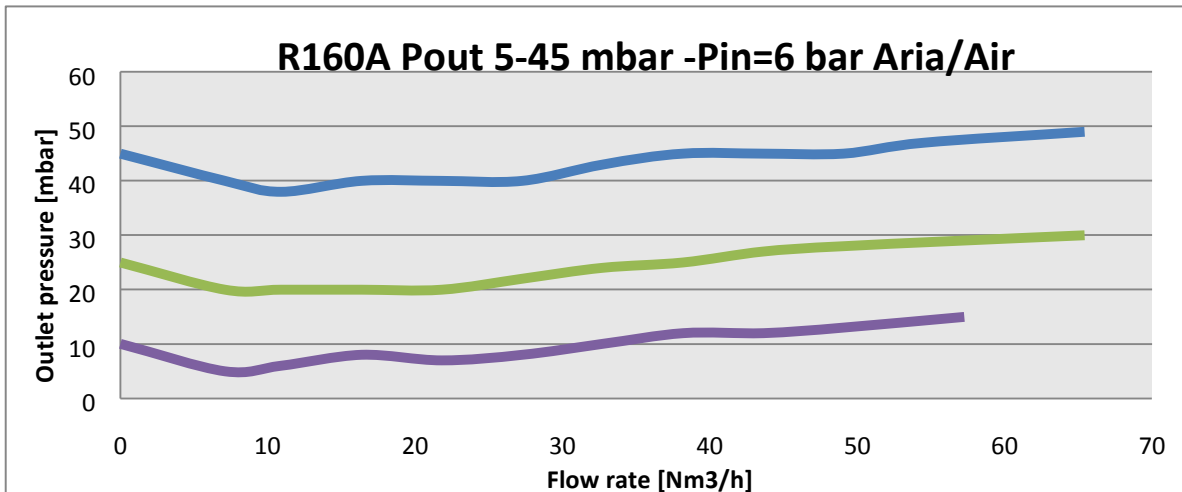
Bracket kit: M11203

SPARE PARTS

Gauges

Complete kit: assembled diaphragm, net filter, main valve, O-rings

flow charts



available model types

High sensibility pressure regulators

Bonnet of aluminium

Body of aluminium

Internal parts of brass

TYPE	PIn Bar	Pout mBar	Connection IN	Connection OUT	MEDIUM
					R160
R160 A	6	5 – 45	G 1/2-F	G 3/4-F	O ₂ *
R160 B	6	20 – 200	G 1/2-F	G 3/4-F	O ₂ *
R160 C	6	150 – 700	G 1/2-F	G 3/4-F	O ₂ *

* Air – N₂ – He – Ar – H₂ – C₃H₈ – CH₄ – CO₂ – N₂O

CONNECTION DIFFERENT FROM STANDARD

Inlet / outlet connections NPT

EXECUTIONS DIFFERENT FROM STANDARD

Pre-set outlet pressure for outlet pressure more than 0,1 bar

Fixed outlet pressure for outlet pressure more than 0,1 bar

O-ring in accordance to FDA

O-ring different from standard – FPM

O-ring different from standard - EPDM

Venting on bonnet

Not standard branding

ATEX version

Temperature different from standard

Degreased for O₂

ACCESSORIES

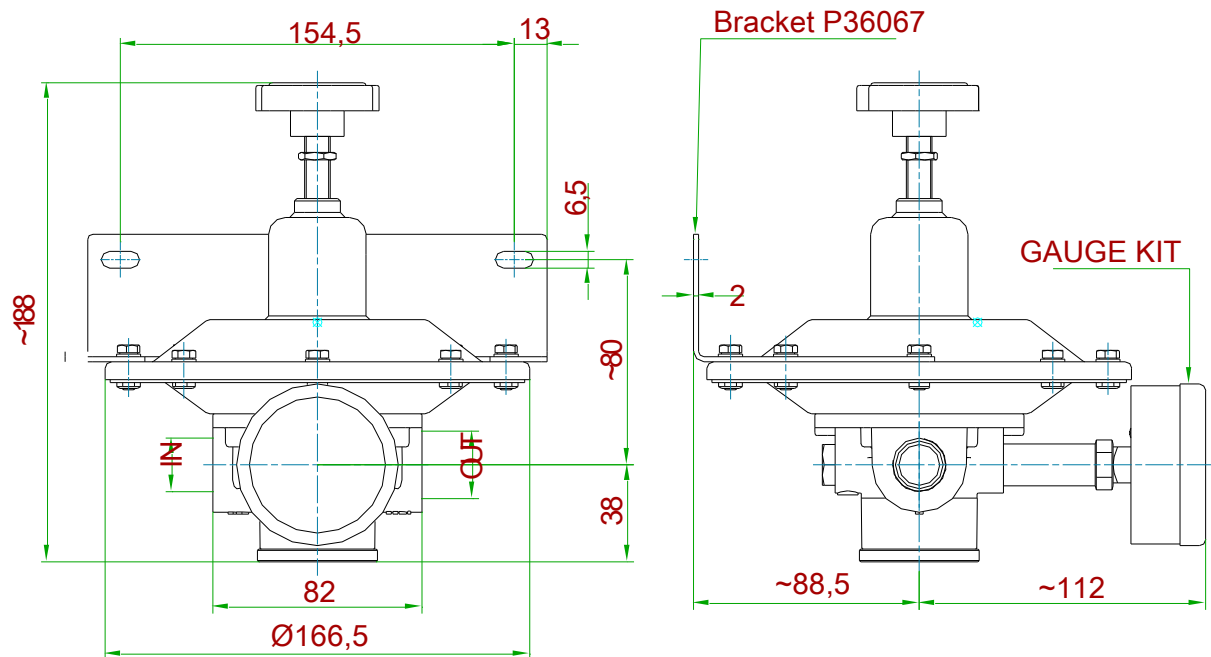
Bracket M11203

Kit stainless steel gauge

Ø63 back connection with fitting

R160 A	M62201	0 +60 mbar
		0 + 600 mmH ₂ O
R160 B	M62202	0 + 300 mbar
		0 + 3000 mmH ₂ O
R160 C	M62203	0 + 1 bar

technical drawings (dimensions in mm)



TYPE	IN	OUT
E. 1/2"GF - U. 3/4"GF	G 1/2-F	G 3/4-F
E. 1/2"NPTF - U. 3/4"NPTF	1/2" NPT-F	3/4" NPT-F

MODEL	Pout	GAUGE KIT	GAUGE
R160A	5÷45 mbar	M62201	0÷60 mbar
R160B	20÷200 mbar	M62202	0÷300 mbar
R160C	150÷700 mbar	M62203	0÷1 bar