

R180

Aluminium high precision pressure regulator




FEATURES

High precision pressure regulator for inlet pressure up to 6 bar (87 psi).

Connection G1-F to the body in the standard version. NPT connections available on request.

Outlet pressure is controlled by a rubber diaphragm.
The regulator's main valve is balanced.

Available the ATEX version
Brand  II2GDcIICX.
For use in potentially explosive atmospheres zones: 1, 21, 2, 22 (not applicable in mines and zone 0).

The product complies with the directive 97/23/CE PED.

SPECIFICATIONS

Weight: ~10 kg (~22 lb)

Operating temperature: -20°C ÷ +60°C (-4°F ÷ 140°F) for standard version

Main valve leakage classification: VI (bubble tight)

Flow coefficient Kv= 1.8 Nm³/h (CV = 2,1 US gal/min)

Degree of protection: IP25

G¼ ports for outlet pressure gauge

MATERIALS

Body and bonnet: aluminium

Internal parts: brass/AISI 316L

Main valve spring: stainless steel AISI 316L

Adjusting spring: C85 (not in contact with the fluid)

Diaphragm: coupled diaphragms in NBR and PTFE (PTFE diaphragm in contact with the fluid)

O-Rings: NBR/EPDM/FPM (depending on the fluid)

Main valve gasket: NBR/EPDM/FPM (depending on the fluid)

ACCESSORIES

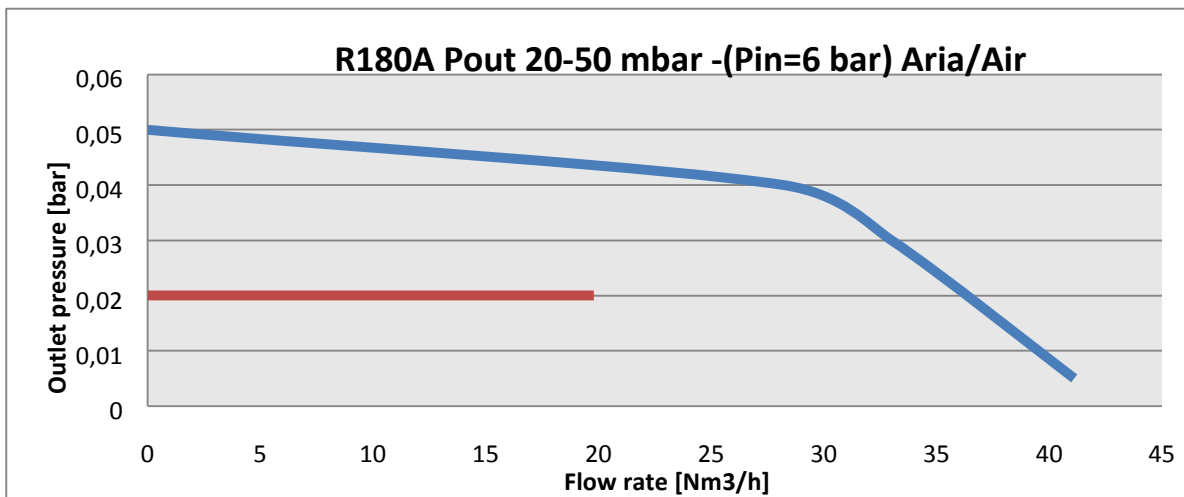
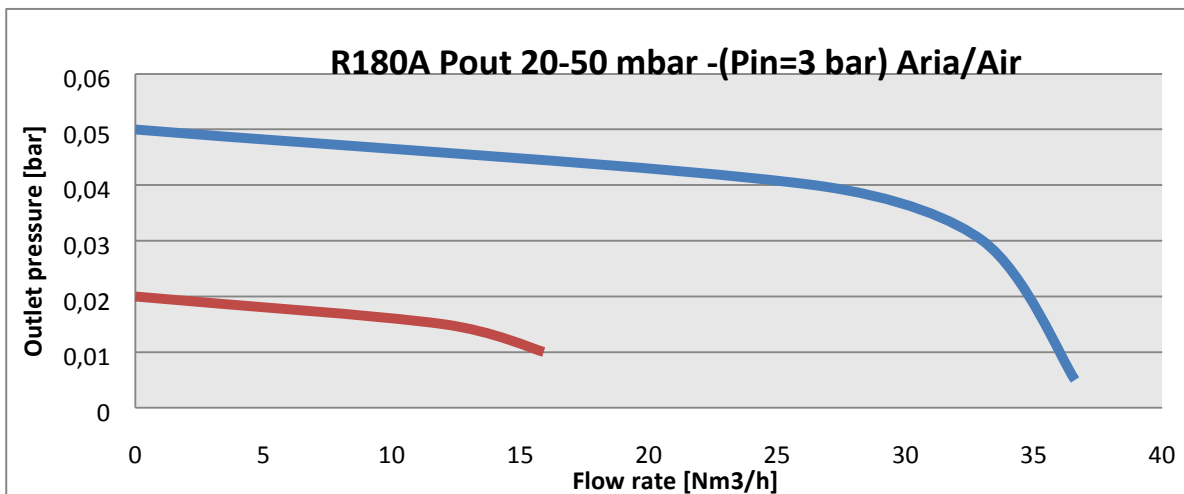
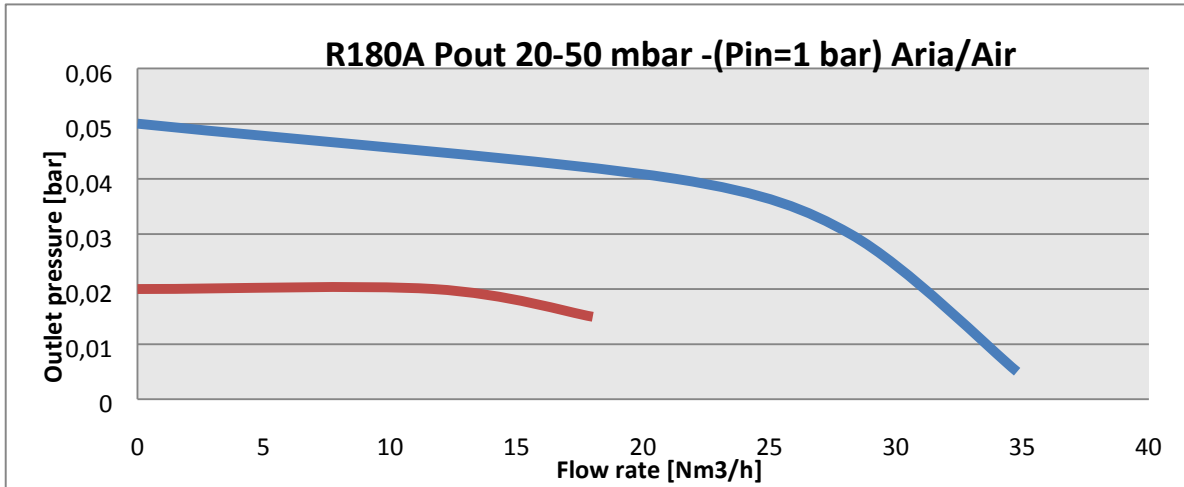
Gauges kit: accuracy class 1,6

SPARE PARTS

Gauges

Complete kit: assembled diaphragm, net filter, main valve, O-rings

flow charts



available model types

High sensibility pressure regulators

Bonnet of aluminium

Body of aluminium

Internal parts of brass

TYPE	PIn Bar	Pout mBar	Connection IN	Connection OUT	MEDIUM
					R180
R180 A	6	20 – 50	G 1-F	G 1-F	O ₂ *
R180 B	6	50 – 100	G 1-F	G 1-F	O ₂ *
R180 C	6	100 – 700	G 1-F	G 1-F	O ₂ *
R180 D	6	600 – 6000	G 1-F	G 1-F	O ₂ *

* Air – N₂ – He – Ar – H₂ – C₃H₈ – CH₄ – CO₂ – N₂O

CONNECTION DIFFERENT FROM STANDARD

Inlet / outlet connections NPT

EXECUTIONS DIFFERENT FROM STANDARD

Pre-set outlet pressure for outlet pressure more than 0,1 bar

Fixed outlet pressure for outlet pressure more than 0,1 bar

O-ring in accordance to FDA

O-ring different from standard – FPM

O-ring different from standard - EPDM

Venting on bonnet

Not standard branding

ATEX version

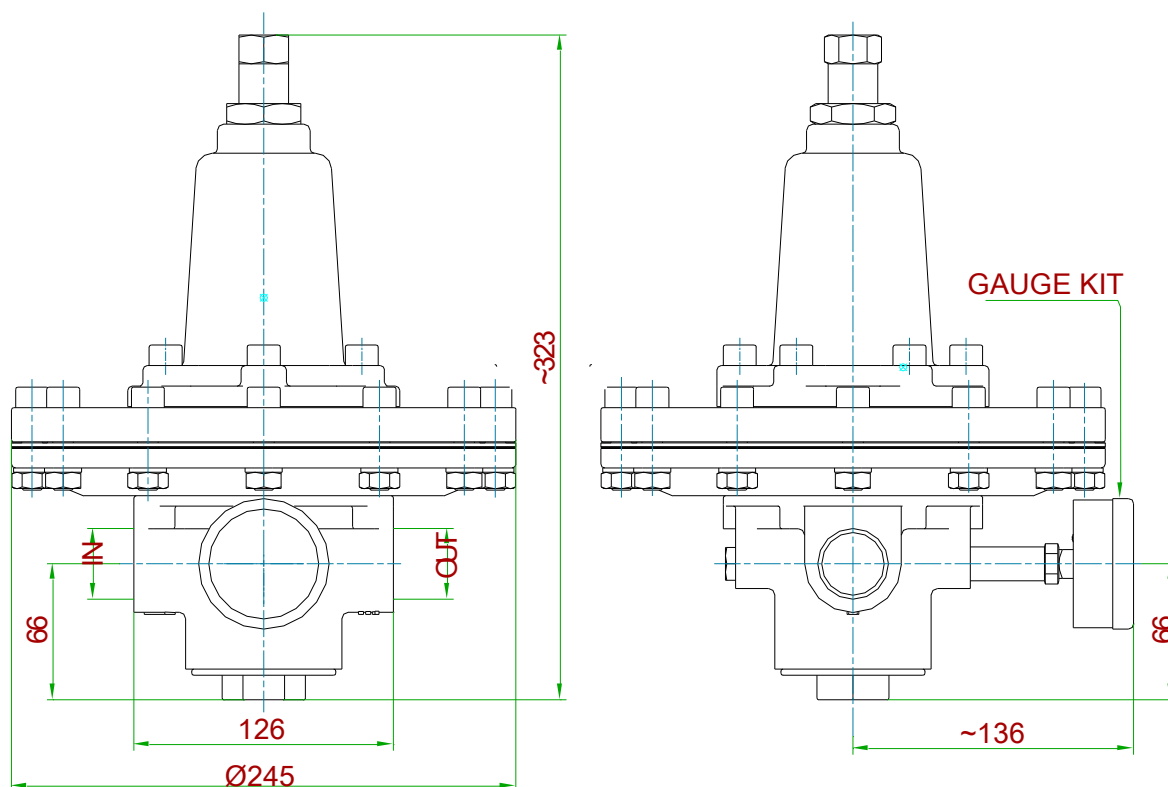
Temperature different from standard

Degreased for O₂

ACCESSORIES

Kit stainless steel gauge Ø63 back connection with fitting	R190 A	M62204	0 + 100 mbar
			0 + 1000 mmH ₂ O
	R190 B	M62202	0 + 300 mbar
			0 + 3000 mmH ₂ O
	R190 C	M62203	0 + 1 bar
	R190 D	M62205	0 + 16 bar

technical drawings (dimensions in mm)



MODEL	Pout	GAUGE KIT	GAUGE
R180 A	20 ÷ 50 mbar	M62204	0 ÷ 100 mbar
R180 B	50 ÷ 100 mbar	M62202	0 ÷ 300 mbar
R180 C	100 ÷ 700 mbar	M62203	0 ÷ 1000 mbar
R180 D	0,6 ÷ 6 bar	M62205	0 ÷ 16 bar