

## R3160

Stainless steel AISI 316L precision pressure regulator



### FEATURES

Precision pressure regulator for inlet pressure up to 6 bar (87 psi).

Standard version inlet port G1/2-F and outlet port G3/4-F. NPT connections, by added nipples, or flanged connections available on request.

Outlet pressure is controlled by a rubber diaphragm. The main valve is balanced.

Available the ATEX version  
Brand  II2GDclICX.

For use in potentially explosive atmospheres zones: 1, 21, 2, 22 (not applicable in mines and zone 0).

The product complies with the directive 97/23/CE PED.

## **SPECIFICATIONS**

Weight: ~2.3 kg (~5,1 lb)

Standard version operating temperature: -20°C ÷ +60°C (-4°F ÷ 140°F)

Main valve leakage classification: VI

Minimum outlet pressure: 5 mbar for model A, 10 mbar for models B and C.

Flow coefficient:  $K_v = 0.4 \text{ Nm}^3/\text{h}$  ( $C_v = 0,47 \text{ US gal/min}$ )

Degree of protection: IP25

G $\frac{1}{4}$  ports for outlet pressure gauge

Adjusting screw to set outlet pressure

## **MATERIALS**

Body: stainless steel AISI 316L

Bonnet: stainless steel AISI 316L

Internal parts: stainless steel AISI 316L

Adjusting spring: AISI 302 (not in contact with the fluid)

Diaphragm: NBR and PTFE coupled diaphragms (PTFE diaphragm in contact with the fluid)

O-Rings: FPM (EPDM for CO2 version)

Main valve gasket: FPM (EPDM for CO2 version)

## **ACCESSORIES**

Gauge kit: accuracy class 1,6

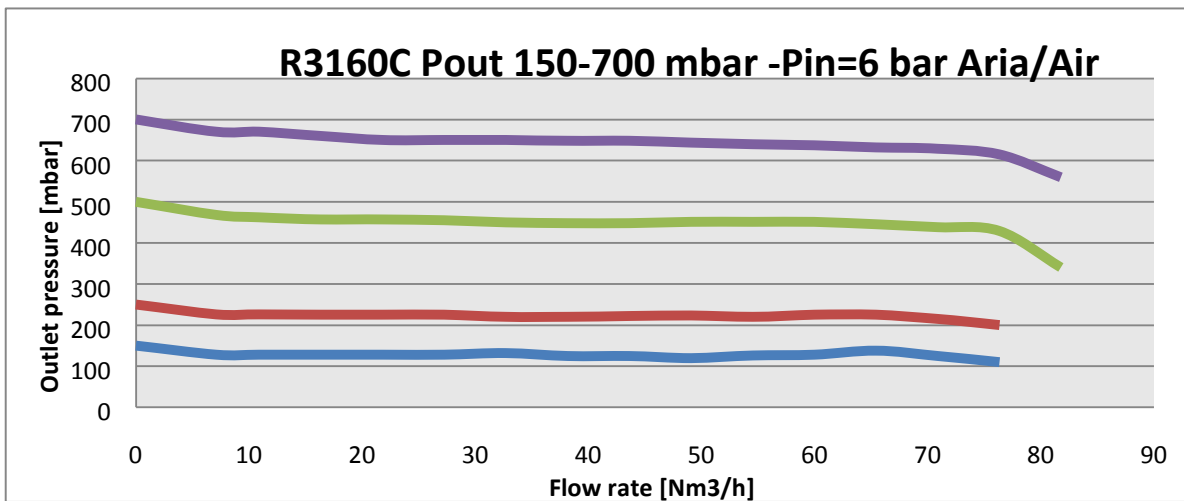
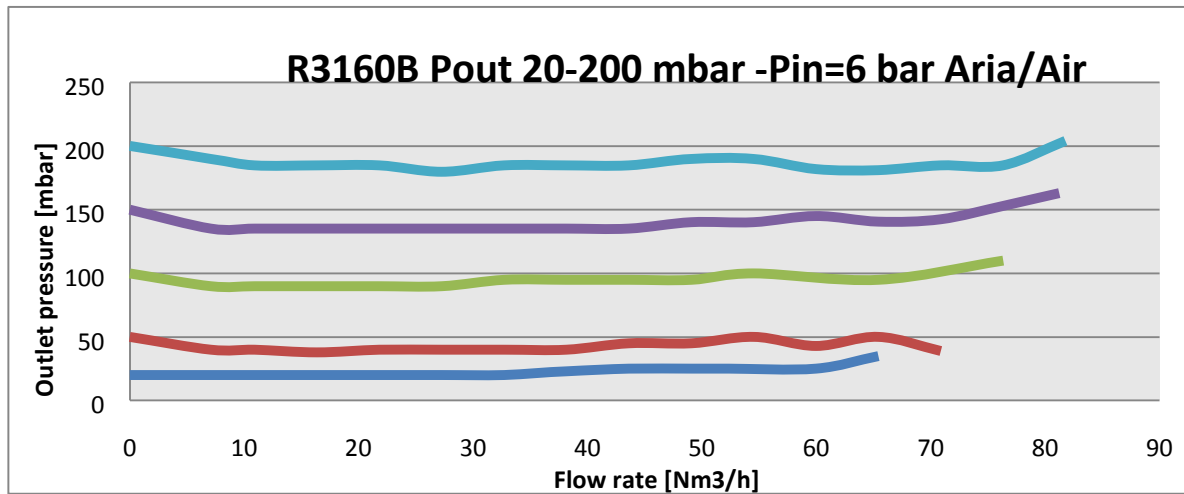
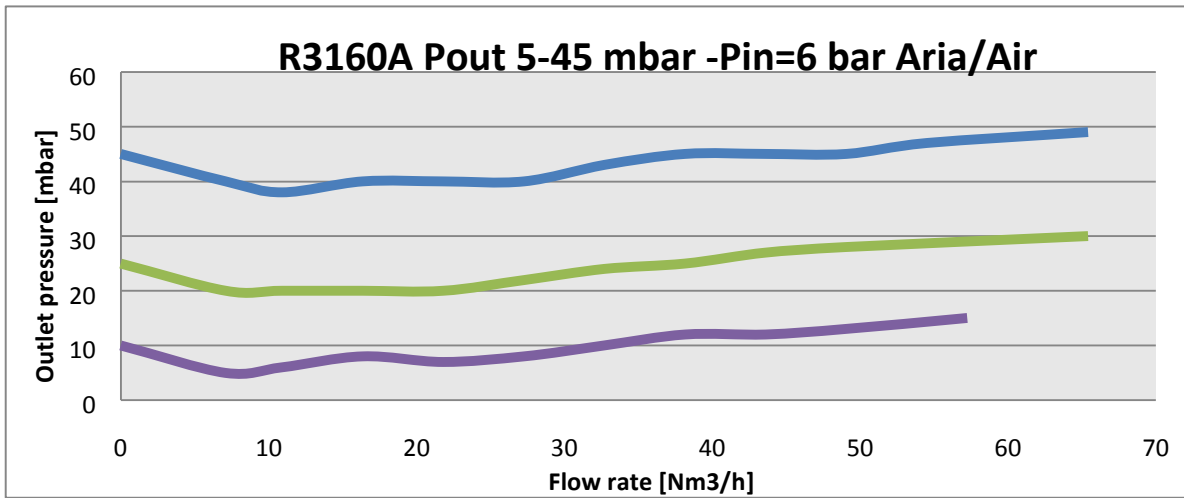
Bracket kit: M11203

## **SPARE PARTS**

Gauges

Complete kit: assembled diaphragm, net filter, main valve, O-rings

## flow charts



## available model types

### High sensibility pressure regulators

*Bonnet of stainless steel 316L*

*Body of stainless steel 316L*

*Internal parts of stainless steel 316L*

TYPE	PIn Bar	Pout mBar	Connection IN	Connection OUT	MEDIUM
					<b>R3160</b>
R3160 A	6	5 – 45	G 1/2-F	G 3/4-F	O <sub>2</sub> *
R3160 B	6	20 – 200	G 1/2-F	G 3/4-F	O <sub>2</sub> *
R3160 C	6	150 – 700	G 1/2-F	G 3/4-F	O <sub>2</sub> *

\* NH<sub>3</sub> – Air – N<sub>2</sub> – He – Ar – H<sub>2</sub> – C<sub>3</sub>H<sub>8</sub> – CH<sub>4</sub> – CO<sub>2</sub> – N<sub>2</sub>O

#### CONNECTION DIFFERENT FROM STANDARD

Inlet, Outlet connections NPT, external nipples

Connections with flanges

#### EXECUTIONS DIFFERENT FROM STANDARD

O-ring in accordance to FDA

O-ring different from standard - EPDM

Venting on bonnet

Not standard branding

ATEX version

Temperature different from standard

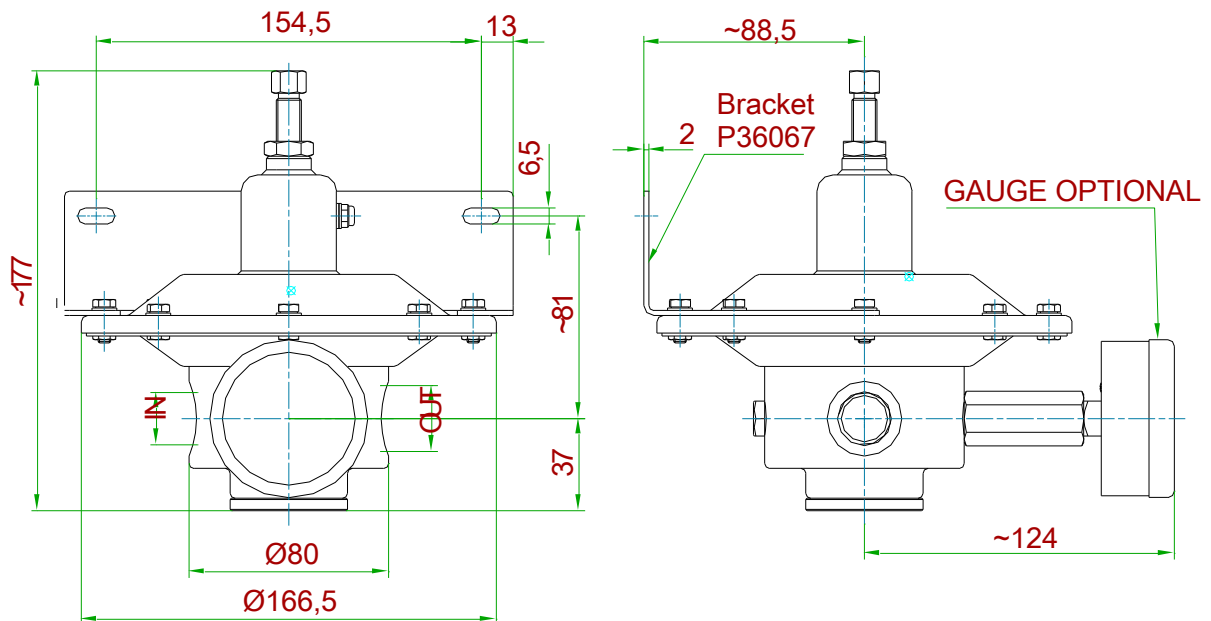
Degreased for O<sub>2</sub>

#### ACCESSORIES

Kit stainless steel gauge Ø63 back connection with fitting	R3160 A	M63301	0 + 60 mbar
			0 + 600 mmH <sub>2</sub> O
	R3160 B	M63302	0 + 300 mbar
			0 + 3000 mmH <sub>2</sub> O
	R3160 C	M63303	0 + 1 bar

## technical drawings (all dimensions in mm)

Bracket to be ordered separately, Kit order number: M11203



TYPE	IN	OUT
E. 1/2"GF U. 3/4"GF	1/2"G F	3/4"G F

MODEL	Pout	GAUGE KIT	GAUGE
R3160A	5÷45 mbar	M63301	0÷60 mbar
R3160B	20÷200 mbar	M63302	0÷300 mbar
R3160C	150÷700 mbar	M63303	0÷1 bar